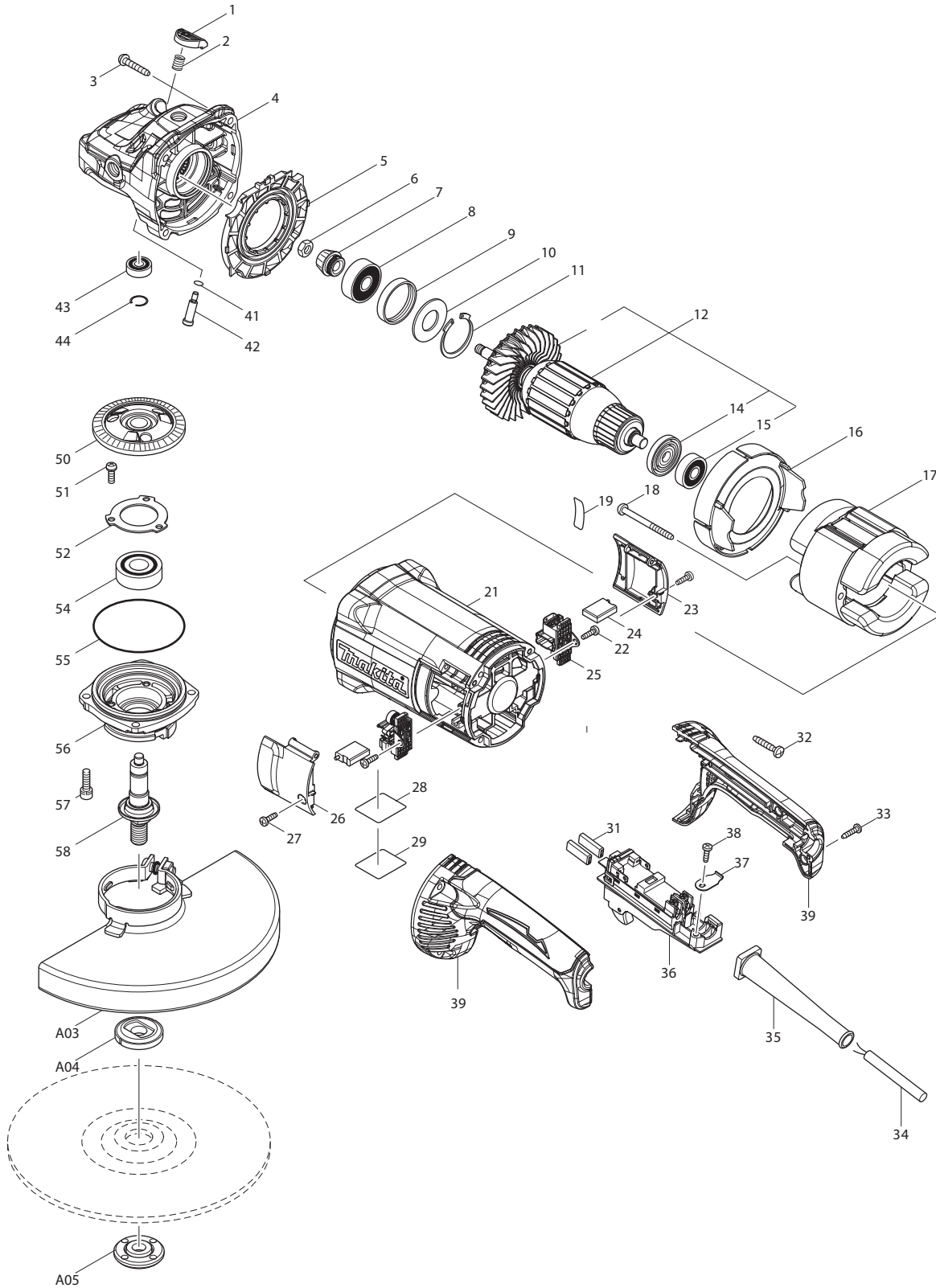




02 - 2016

GA9060

9" Angle Grinder (Heavy Duty)



Item No.	Type	Sub	Part No.	Description	Qty	Unit
001			456247-8	PIN CAP	1	PC.
002			234391-9	COMPRESSION SPRING 8	1	PC.
003			251489-7	TAPPING SCREW 5X30	4	PC.
004			143485-8	GEAR HOUSING COMPLETE	1	PC.
		INC.	263002-9	RUBBER PIN 4	1	PC.
005			456238-9	DIFFUSER	1	PC.
006			252194-9	HEX. NUT M8	1	PC.
007			227652-4	SPIRAL BEVEL GEAR 13	1	PC.
008			211132-0	BALL BEARING 6301DDW	1	PC.
009			262085-6	RUBBER RING 38	1	PC.
010			267299-2	FLAT WASHER 20	1	PC.
011			962211-4	RETAINING RING R-42	1	PC.
012			513447-4	ARMATURE ASS'Y 115V	1	PC.
		INC.		Item No. 14-15		
013			240161-6	FAN 86	1	PC.
014			681630-2	INSULATION WASHER	1	PC.
015			211087-9	BALL BEARING 6200DDW	1	PC.
016			456239-7	BAFFLE PLATE	1	PC.
017			621777-0	FIELD 115V	1	PC.
018			266044-2	TAPPING SCREW 5X60	2	PC.
019			851U89-5	GA9060 SERIAL NO. LABEL	1	PC.
021	1		143645-2	MOTOR HOUSING COMPLETE	1	PC.
		INC.	808D03-0	CAUTION LABEL	1	PC.
	2		144524-7	MOTOR HOUSING COMPLETE	1	PC.
		INC.	812K32-9	CAUTION LABEL	1	PC.
022			266385-6	TAPPING SCREW 4X14	2	PC.
023	2		456246-0	* BRUSH HOLDER COVER R	1	PC.
024			197128-4	CARBON BRUSH CB-218 2PC/SET	1	PC.
025	2		643715-2	* BRUSH HOLDER	2	PC.
026	2		456245-2	* BRUSH HOLDER COVER L	1	PC.
027			266385-6	TAPPING SCREW 4X14	2	PC.
028			851U85-3	NAME PLATE F/GA9060	1	PC.
029			808D02-2	CLEAR LABEL	1	PC.
031			686036-9	RECEPTACLE SLEEVE	2	PC.
032			251489-7	TAPPING SCREW 5X30	4	PC.
033			266326-2	TAPPING SCREW 4X18	2	PC.
034			664463-0	CORD W/PLUG 2P-14-2.5M, SJ	1	PC.
035			682573-1	CORD GUARD 10	1	PC.
036			632F76-1	SWITCH UNIT	1	PC.
037			687169-3	STRAIN RELIEF	1	PC.
038			266385-6	TAPPING SCREW 4X14	1	PC.
039			183C63-0	HANDLE SET	1	SET
041			213026-5	O RING 7	1	PC.
042			256571-7	SHOULDER PIN 7	1	PC.
043			211032-4	BALL BEARING 608ZZ	1	PC.
044			233925-5	RING SPRING 13	1	PC.
050			227653-2	SPIRAL GEAR 54	1	PC.
051			265120-9	PAN HEAD SCREW M5X16	3	PC.
052			285741-1	BEARING RETAINER 50	1	PC.
054			211278-2	BALL BEARING 6203DDW	1	PC.
055			213760-7	O RING 78	1	PC.
056			319351-3	BEARING BOX	1	PC.
057			265541-5	HEX. SOCKET HEAD BOLT M6X22	4	PC.
058			143487-4	SPINDLE A COMPLETE	1	PC.
C01			878857-5	CARTON F/GA9060	1	PC.
D01			654551-1	CONNECTOR	2	PC.
D02			654207-6	RECEPTACLE	2	PC.

Item No.	Type	Sub	Part No.	Description	Qty	Unit
<b>ACCESSORIES</b>				<b>- Visit <a href="http://www.makita.ca">www.makita.ca</a> for more accessories information -</b>		
A01			143486-6	GRIP 37 COMPLETE (STANDARD)	1	PC.
	Opt		194543-3	VIBRATION PROOF GRIP F/7-9"	1	PC.
A02			782412-6	LOCK NUT WRENCH 28	1	PC.
A03			122938-0	WHEEL COVER ASSY F/9"	1	PC.
		INC.	213017-6	O RING 6	1	PC.
		INC.	265198-2	+PAN HEAD SCREW M8X25	1	PC.
A04			224317-9	INNER FLANGE 89	1	PC.
A05			224486-6	LOCK NUT 5/8-45	1	PC.
A06			-----	DEPRESSED CENTER GRINDING WHEELS		
A07			198509-5	DUST COLLECTION WHEEL COVER F/ 9"	1	PC.
		INC.	126601-7	INNER FLANGE 47 ASSY F/ AC 9" GRINDERS	1	PC.
		INC.	198676-6	INNER FLANGE 45 F/ DC 9" GRINDERS	1	PC.
A09			122913-6	CUT-OFF WHEEL COVER F/9"	1	PC.
A10			224255-5	INNER FLANGE 78 F/C.O.W COVER	1	PC.
				OUTER FLANGE 78 F/C.O.W COVER		
A11			224305-6	(USE WITH 224486-6)	1	PC.
A12			193048-0	SANDING LOCK NUT 5/8-48, PACKAGED	1	PC.
A13			194289-1	DUST COVER SCREEN ATTACHMENT SET	1	PC.
A14			194684-5	GRIP ATTACHMENT SET	1	PC.
A15			194306-7	LOCK NUT RELEASE SOCKET 28 SET	1	PC.
A16			743012-7	RUBBER SANDING PAD	1	PC.
A17			199176-9	LOOP HANDLE 7-9" GRINDER	1	PC.
		INC.	921731-7	HEX HEAD BOLT M14X20	2	PC.

**SERVICE CHANGES**

**1. Changes on Change of Brush holder, Brush holder cover L complete and Brush holder cover R complete**

(TI#B7463 )

Item No.	Description	Type 1	Type 2
23	BRUSH HOLDER COVER R	143950-7	456246-0
25	BRUSH HOLDER	643714-4	643715-2
26	BRUSH HOLDER COVER L	143949-2	456245-2

Above parts are completely interchangeable as a set.